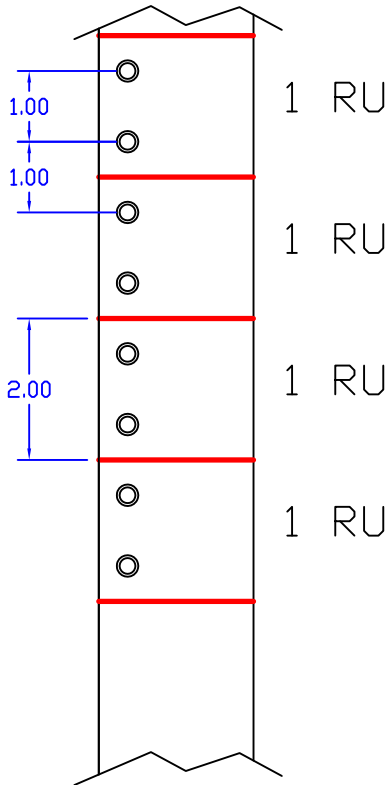
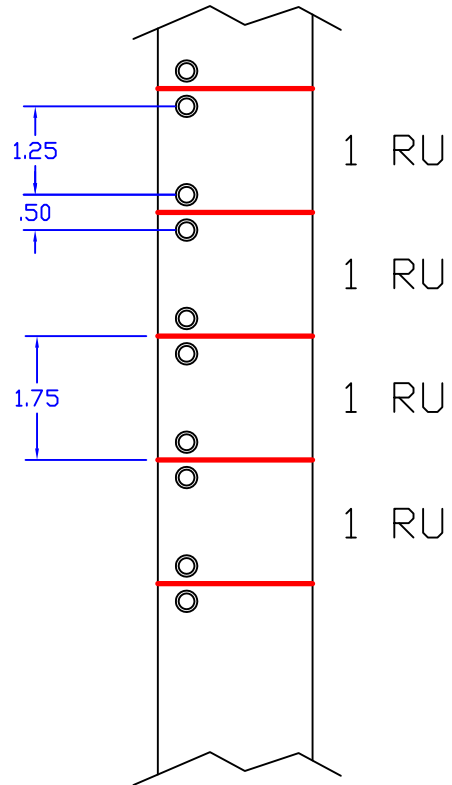


BAY RU GUIDE

FOR ALL NETWORK(R8), SEISMIC(R7), 23", AND 19" BAYS



1 RU EQUALS 2"



1 RU EQUALS 1.75"

2" mtg pattern	
Bay Height	# of RU
7'	39
8'	44
9'	50
11'6"	65

1-3/4" mtg pattern	
Bay Height	# of RU
7'	44
8'	50
9'	57
11'6"	74

